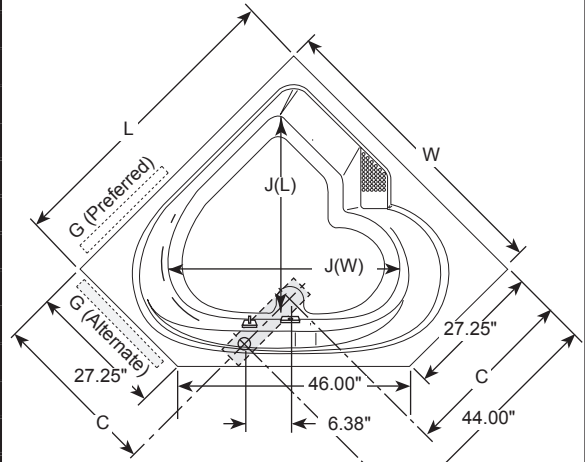


Tara® 6060 Whirlpool And Soaking Bathtubs

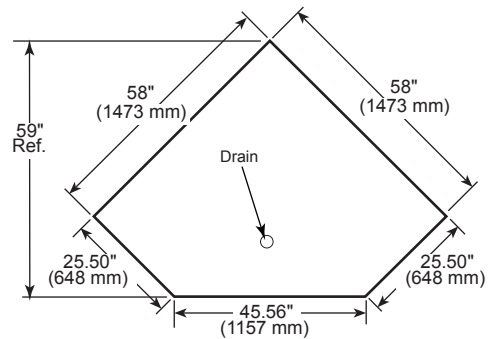
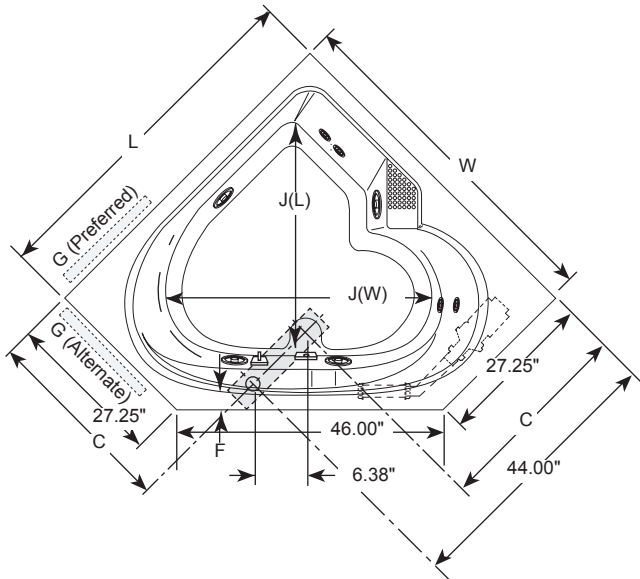
Letter	Description	Whirlpool	Soaking
-	Drain Location	Center Drain	Center Drain
-	Whirlpool Pump Location	Left Hand / Right Hand	Left Hand / Right Hand
-	Cutout	See Illustration Below	See Illustration Below
-	Total Weight	1084 lb (492 kg)	1039 lb (471 kg)
-	Floor Loading	43 lb/ft ² (210 kg/m ²)	42 lb/ft ² (205 kg/m ²)
-	Operating Gallons (Min/Max)	62 Gal (235 L) / 79 Gal (299 L)	62 Gal (235 L) / 79 Gal (299 L)
-	Product Weight	126 lb (57 kg)	81 lb (37 kg)
L	Outer Length	60.00" (1524 mm)	60.00" (1524 mm)
W	Outer Width	60.00" (1524 mm)	60.00" (1524 mm)
H	Overall Height	20.75" (527 mm)	20.75" (527 mm)
A	Overflow Height	17.50" (445 mm)	17.50" (445 mm)
B	Long Edge to Drain Center	35.00" (889 mm)	35.00" (889 mm)
C	Short Edge to Drain Center	35.00" (889 mm)	35.00" (889 mm)
D	Drain Shoe Length	8.00" (203 mm)	8.00" (203 mm)
E	Deck Height	2.00" (51 mm)	2.00" (51 mm)
F	Deck Width	1.25" (32 mm)	1.25" (32 mm)
G	Service Access	12.0" x 18.0" (305 mm x 457 mm)	N/A
I	Floor Cutout for Drain	12.0" x 4.0" (305 mm x 102 mm)	12.0" x 4.0" (305 mm x 102 mm)
J	Interior Dimensions: J(W) x J(L)	40.0" x 45.0" (1016 mm x 1143 mm)	40.0" x 45.0" (1016 mm x 1143 mm)

NOTE

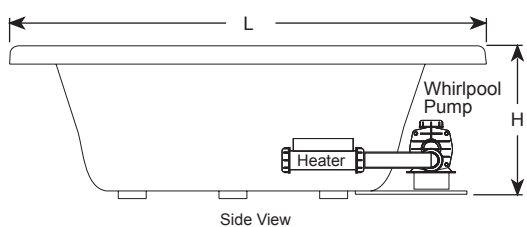
The overall dimensions are nominal with a tolerance of +0 and -.25" (6mm).
 Electrical Specifications
 (Each component requires a separate, dedicated GFCI protected circuit)
 Motor/Pump 120V 15A 60HZ
 Heater (optional) 120V 15A 60HZ


Corner Soaking Bathtub
Key Dimensions

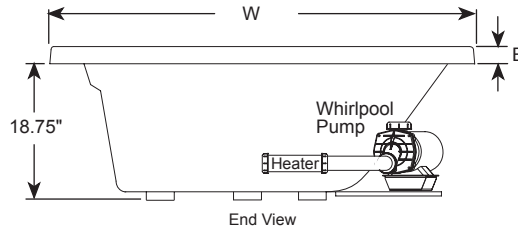
(Center Drain / Right Side Whirlpool Pump shown)


TARA CORNER CUTOUT
 Right & Left Hand

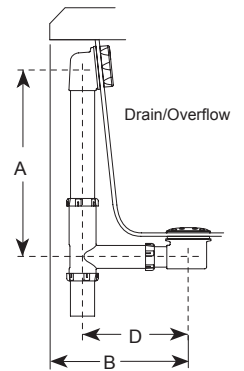
*Deck width reflects only area indicated on detail.



Side View



End View


NOTE: Drawings not to scale.